




GENERAL

These operating instructions conform to:

- *Technical requirements for equipment and protective systems intended for use in potentially explosive atmospheres (2014/34/EU).*



SAFETY INSTRUCTIONS AND UNSUITABLE USE

- **Stainless steel boxes XN...(p,ps,f,pf,psf)** (hereinafter boxes XN) are used as **Ex component** for complete Ex devices assembling.
- Boxes XN **are not intended** for manufacturing of Ex devices determined for use in explosive areas **zone 0** (EN 60079-10-1) and **zone 20** (EN 60079-10-2)!
- **Only components with suitable Ex type of protection can be installed inside the boxes XN!**
- **Always carry out conformity assessment according to directive 2014/34/EU (ATEX) to complete Ex device, where the box XN is used!**
- **Avoid any mechanical damage** when manipulating with the boxes XN, especially **prevent damage of the seal!**
- Boxes XN shall be operated in accordance with operating conditions, technical and rating data below!

1. USE

Boxes XN are an empty enclosures made from stainless steel, intended for assembly with other Ex components so that fabricate complete Ex device for use in explosive gas and combustible dust atmospheres.

Boxes XN are also suitable for use as a protective boxes for protection of inbuilt components against external influences.

2. OPERATING CONDITIONS

2.1 Use in areas and environments acc. to valid regulations. It results from Ex design of complete Ex device.

2.2 Operating position: any position

3. TECHNICAL DATA

3.1 General

Name	Data	Standard, note
Type of protection	Ex eb IIC Gb Ex tb IIIC Db	EN 60079-0 EN 60079-7 EN 60079-31
Group and category	II 2G, II 2D	2014/34/EU
Certification	FTZÚ 01 ATEX 0074 U	FTZÚ NB 1026
Service temperature	-60°C to +115°C	EN 60079-0
Ingress protection	IP 65 – XN ...p, pf IP 66 - other types	EN 60529
Material	Stainless steel sheet 1.4301 / 304	DIN / ASTM
Impact resistance	7 J	EN 60079-0
External PE	16 mm ²	2x screw M5 + clamping plate

3.2 Type key

XN

- Design:
 - empty - screw fastened lid
 - p - hinged door with cam lock (double bit insert)
 - ps - hinged door with lockable screws
 - f - removable flanges
- box depth (H) in cm
- box height (B) in cm
- box width (A) in cm

Type example:

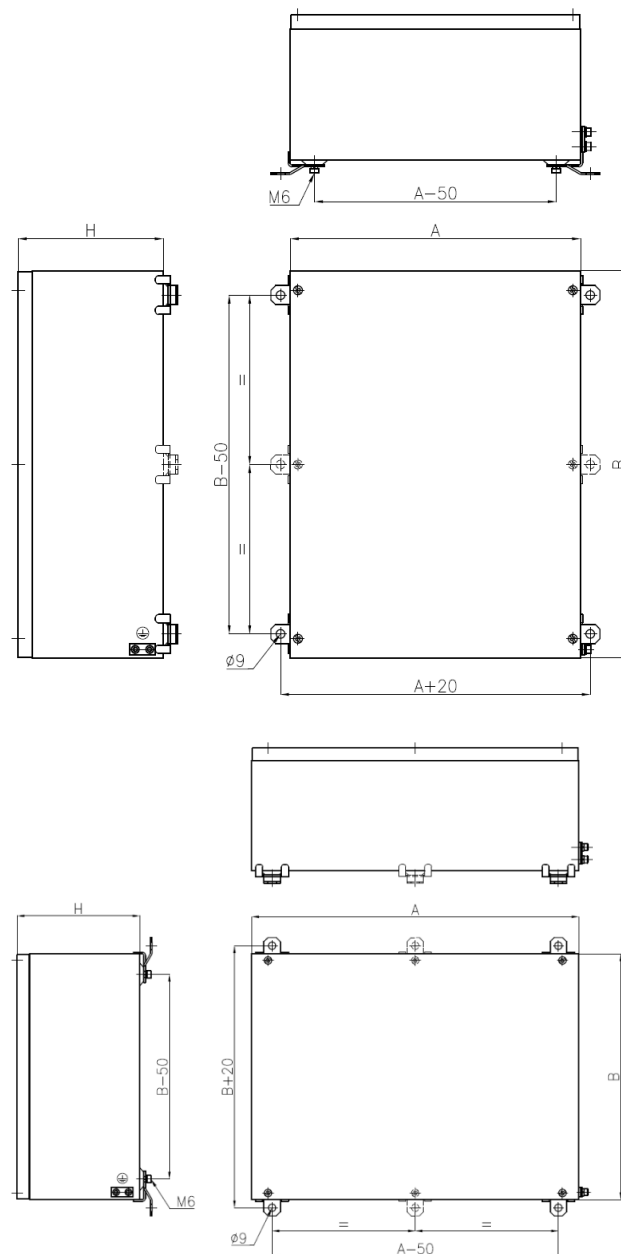
XN 403015p - box 400 x 300 x 150, hinged door with cam lock.

4. INSTALLATION INSTRUCTION

4.1 Boxes mounting

There are two various ways:

- **Directly** by screws M6 screwed up from outwards through a frame into the "blind" holes in the box bottom.
- By using of the **mounting brackets** (part of delivery) fixed as described above – than the box can be wall-mounted from the front by screws M8. *Mounting brackets can be fixed on any side of box.*



4.2 Closing the enclosure

Before closing the enclosure lid or flange, be sure that the seal is clean and free of dust and it is not damaged anyway. To maintain determined ingress protection, lid and flange screws shall be properly tightened by torques as below:

- Lid screws: M = 2 Nm
- Flange screws: M = 3 Nm

5. INSTALLATION ACC. TO VALID REGULATIONS

Above mentioned operating conditions, local operating regulations and relevant standards (EN 60079) must be taken into account. Only components with appropriate type of protection can be built-in. An approval acc. to Directive 2014/34/EU must be observed for fully assembled Ex device.

6. INSPECTION AND PREVENTIVE MAINTENANCE

It is determined by EN 60079-17 and applies to complete Ex device.

7. REPAIRS AND MAJOR INSPECTIONS, SERVICE

Boxes XN are considered as **no repairable parts** and must be **replaced when damaged**.

In case of any problems regarding the GENERI products (such as loss of accompanying documents, technical defects etc.), just read the two data on the rating plate:

- 1) Type of equipment
- 2) Serial number

On the basis of these data it is possible to find any accompanying and technical documents of concrete product at manufacturer.

8. STORAGE, PACKING AND TRANSPORT

Boxes XN are to be **stored** at the ambient temperature of +5°C to +40°C, in non-aggressive interior areas without the UV radiation and weather conditions where the quality does not deteriorate (climatic conditions 1K2, biological conditions 1B1, active chemical compounds 1C2, mechanically active substances 1S1, and mechanical conditions 1M2 according to EN 60721-3-1).

Boxes are **packed** in protective foils and supplied in cardboard boxes (bigger boxes can be attached to pallets).

Transport is provided by an express transport company within 24 hours, or according to request. It is also possible to cash on delivery. Transport conditions are 2K2, 2B1, 2C2, 2S1, 2M2 by EN 60721-3-2.

9. DELIVERY TERMS

Price, delivery terms, methods of payment and transport are mentioned in a purchase contract which is sent by the business department after receiving your order. If it is not specified otherwise in the contract, a standard warranty 12 months for goods is provided.

10. SPARE PARTS

On the basis of rating plate data (see point 7) it can be supplied spare box, lid / door, flanges, lid / flange screws resp. cam lock.

When the seal is damaged, ship whole box or lid/flange only to manufacturer to repair.



11. PRODUCT DISPOSAL

Useless products should be disposed in accordance with valid regulations.

!!! All components may produce harmful exhalations during combustion!!!

12. ACCOMPANYING DOCUMENTATION

- ▣ Attestation of conformity
- ▣ These operating instructions including of warranty
- ▣ Delivery note

Certificate is available on www.generi.cz or upon request.



ISO 9001



WARRANTY

Product: **XN**

(fill-in concrete type)

No. of final inspection:

Quantity:

You are provided with a warranty for a period of 12 months (if it is not specified otherwise in the purchase contract) valid from the day the product was handed over. We guarantee quality of work and material. Despite this, faults unidentifiable in the manufacturing plant may occur due to storage, during transport or use. If they were caused by faulty material or production, we shall restore the product to a trouble-free state at our own costs. The warranty does not apply to defects resulting from mishandling or mechanical damage and not following instructions for assembly and maintenance.

FINAL INSPECTION

Authorised person:

Result:

Stamp and signature:

OK

WE WISH YOU MAXIMUM
SATISFACTION WITH OUR
PRODUCTS AND SERVICES

