


## GENERAL

These operating instructions conform to:

- Technical requirements for equipment and protective systems intended for use in potentially explosive atmospheres (2014/34/EU).



**SAFETY INSTRUCTIONS AND UNSUITABLE USE**

- Empty polyester boxes XP are used as Ex component for complete Ex devices assembling determined for use in explosive gas atmospheres zone 1 and 2 (EN 60079-10-1) and combustible dust atmospheres zone 21 and 22 (EN 60079-10-2). Boxes XP are not intended for use in zones 0 and 20!
- Always carry out conformity assessment according to directive 2014/34/EU (ATEX) to complete Ex device, where the box XP is used!
- Avoid any mechanical damage when manipulating with the boxes XP, especially prevent damage of the seal!
- Boxes XP shall be operated in accordance with operating conditions, technical and rating data below!

### 1. USE

Boxes XP are an empty enclosures made from glass reinforced polyester with addition of graphite, intended for assembly with other Ex components so that fabricate complete Ex device for use in explosive gas and combustible dust atmospheres.

Boxes XP are also suitable for use as protective boxes for protection of inbuilt components against external influences.

### 2. OPERATING CONDITIONS

**2.1 Use in areas and environments** acc. to valid regulations It results from Ex design of complete Ex device.

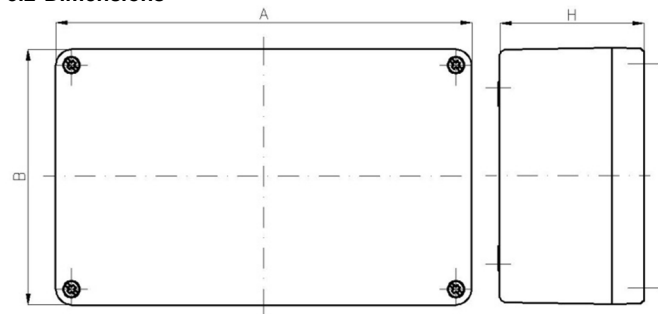
**2.2 Operating position:** any position

### 3. TECHNICAL DATA

#### 3.1 General

Name	Data	Standard, note
Type of protection	<b>Ex eb IIC Gb</b> <b>Ex tb IIC Db</b>	EN 60079-0 EN 60079-7 EN 60079-31
Ingress protection	<b>IP 66</b>	EN 60529
Group and category	<b>II 2G, II 2D</b>	2014/34/EU
Certification	<b>FTZÚ 01 ATEX 0074 U</b>	FTZÚ NB 1026
Service temperature	<b>-40°C to +105°C</b>	EN 60079-0
Material	Glass fibre reinforced polyester (GRP) with addition of graphite	Black, RAL 9005
Flammability	Hardly inflammable and self-extinguishing	UL – S94.V – 0 (also halogen-free)
Impact resistance	7 J	EN 60079-0
Surface resistance	< 10 <sup>9</sup> Ω	(antistatic surface)

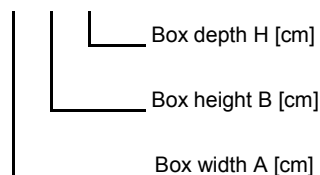
#### 3.2 Dimensions



Type	A (width) [mm]	B (height) [mm]	H (depth) [mm]
XP 080806	80	75	55
XP 080808	80	75	75
XP 110806	110	75	55
XP 160806	160	75	55
XP 190806	190	75	55
XP 121209	122	120	90
XP 221209	220	120	90
XP 161609	160	160	90
XP 261609	260	160	90
XP 361609	360	160	90
XP 561609	560	160	90
XP 202512	200	250	120
XP 252512	255	250	120
XP 252516	255	250	160
XP 402512	400	250	120
XP 402516	400	250	160
XP 404012	400	400	120
XP 602512	600	250	120
XP 602516	600	250	160

#### 3.3 Type key

XP 26 16 09



### 4. INSTALLATION INSTRUCTION

#### 4.1 Boxes mounting

Spacing of mounting holes is stated on the bottom of the box. Lift off the cover, insert attachment screws into holes and mount the box.

#### 4.2 Closing the enclosure

Before closing the enclosure cover, be sure that the seal is clean and free of dust, fits in its position and is not damaged anyway.

To maintain determined ingress protection, tight cover screws until the cover touches the box. Screws must be tightened crosswise!

### 5. INSTALLATION ACC. TO VALID REGULATIONS

Above mentioned operating conditions, local operating regulations and relevant standards (EN 60079) must be taken into account. Only components with appropriate type of protection can be built-in. An approval acc. to Directive 2014/34/EU must be observed for fully assembled Ex device.

### 6. INSPECTION AND PREVENTIVE MAINTENANCE

It is determined by EN 60079-17 and applies to complete Ex device.

### 7. REPAIRS AND MAJOR INSPECTIONS, SERVICE

Repairs and major inspection are given by EN 60079-19.

Boxes XP are considered as **no repairable parts** and must be replaced when damaged.

In case of any problems regarding the GENERI products (such as loss of accompanying documents, technical defects etc.), just read the two data on the rating plate:

- 1) Type of equipment
- 2) Serial number

On the basis of these data it is possible to find any accompanying and technical documents of concrete product at manufacturer.

### 8. STORAGE, PACKING AND TRANSPORT

Boxes XP are to be **stored** at the ambient temperature of +5°C to +40°C, in non-aggressive interior areas without the UV radiation and weather conditions where the quality does not deteriorate (climatic conditions 1K2, biological conditions 1B1, active chemical compounds 1C2, mechanically active substances 1S1, and mechanical conditions 1M2 according to EN 60721-3-1).

Boxes are **packed** in protective foils and supplied in cardboard boxes (bigger boxes can be attached to pallets).

**Transport** is provided by an express transport company within 24 hours, or according to request. It is also possible to cash on delivery.

**Transport conditions** are 2K2, 2B1, 2C2, 2S1, 2M2 by EN 60721-3-2.

### 9. DELIVERY TERMS

Price, delivery terms, methods of payment and transport are mentioned in a purchase contract which is sent by the business department after receiving your order. If it is not specified otherwise in the contract, a standard warranty 12 months for goods is provided.

### 10. SPARE PARTS

On the basis of rating plate data (see point 7) it can be supplied spare box event. Separate cover with the seal.

When the seal is damaged, ship whole box or cover only to manufacturer to repair.



### 11. PRODUCT DISPOSAL

**Useless products should be disposed in accordance with valid regulations.**

**!!! All components may produce harmful exhalations during combustion!!!**

### 12. ACCOMPANYING DOCUMENTATION

- 📄 Attestation of conformity
- 📄 These operating instructions including of warranty
- 📄 Delivery note

Certificate is available on [www.generi.cz](http://www.generi.cz) or upon request.

WE WISH YOU MAXIMUM  
SATISFACTION WITH OUR  
PRODUCTS AND SERVICES



## WARRANTY

Product: **XP**

(fill-in concrete type)

No. of final inspection:

Quantity:

You are provided with a warranty for a period of 12 months (if it is not specified otherwise in the purchase contract) valid from the day the product was handed over. We guarantee quality of work and material. Despite this, faults unidentifiable in the manufacturing plant may occur due to storage, during transport or use. If they were caused by faulty material or production, we shall restore the product to a trouble-free state at our own costs. The warranty does not apply to defects resulting from mishandling or mechanical damage and not following instructions for assembly and maintenance.

## FINAL INSPECTION

Authorised person:	Result:	Stamp and signature:
	<b>OK</b>	



**ISO 9001**

